

Main Features:-

- ◆ Uni-Directional Knife Gate Valve
- ◆ Actuated With A Spring Return Cylinder
- ◆ Wafer Threaded, PN10
- ◆ On/Off or Regulation
- ◆ Direction Indicated By Arrows On The Body

*Temperature and pressure determined by valve body, seat etc.

Suitable Applications & Approvals:



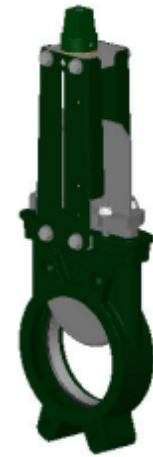
WASTE



INDUSTRY



CERTIFIED



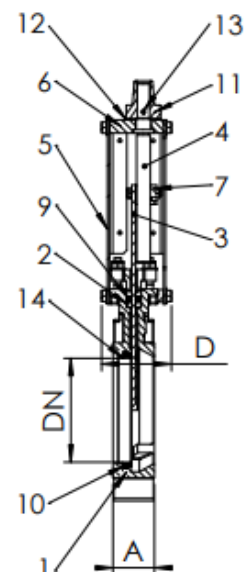
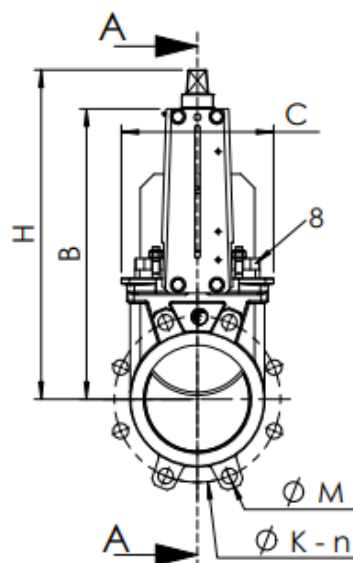
SERIES: 43011

MANUFACTURER: **Tecofi**
VALVE DESIGNER - FRANCE

DN	SIZE	A	B	C	D	H	ØK	n	ØM	Kg
50	2"	40	240	124	83	327	125	4	4xM16	7.5
65	2 1/2"	40	265	139	83	352	145	4	4xM16	8.8
80	3"	50	290	154	83	377	160	8	4xM16	9.4
100	4"	50	335	174	83	422	180	8	4xM16	11.5
125	5"	50	373	189	93	463	210	8	4xM16	15.4
150	6"	60	424	220	93	514	240	8	4xM20	18.5
200	8"	60	533	275	108	628	295	8	4xM20	34.8
250	10"	70	625	326	108	720	350	12	8xM20	47
300	12"	70	732	380	108	827	400	12	8xM20	61
350	14"	96	835	438	290	941	460	16	10xM20	117

VALVE DIMENSIONS

No	Description	Material
1	Body	EN-GJL-250
2	Packing	PTFE
3	Gate	SS X5CrNi 18-10
4	Stem	SS 13%Cr
5	Support Plate	Steel + Epoxy
6	Nut Support	Zinc Steel
7	Nut	Bronze
8	Packing Gland	Ductile Iron
9	O'Ring	Nitrile
10	Gasket	Nitrile
11	Square Driving	EN-GJL-250
12	Friction Washer	Bronze
13	Spring Pin	Stainless Steel
14	Support Ring	SS 316



T +44 (0)1386 552369

W www.allvalves.co.uk

E sales@allvalves.co.uk

F +44 (0)1386 554227



MANUFACTURER: **Tecofi'**
VALVE DESIGNER - FRANCE

SERIES: 43011

Material	Max Working Temperature	DN	Max Working Pressure	APPLICATION:
Metal/Metal	-10°C / +80°C	DN50-250	10 Bar	The Tecofi knife gate valve can typically be used for the following applications; <ul style="list-style-type: none"> • Pulp and Paper • Water • Water Treatment • Biogas • Chemical • Powder • Slurry and Waste • Mining
White NBR	-10°C / +80°C	DN300-400	7 Bar	
EPDM	-10°C / +130°C			
Silicone	-10°C / +170°C			
FPM (Viton)	-10°C / +170°C			
PTFE	+4°C / +170°C			
CSM (Hypalon)	+4°C / +80°C			

ALL VALVES ONLINE

Offering a full range of actuated valve packages, manual valve range, pipe fittings and pumps, we have a product for all your requirements. As an ISO 9001-2015 Quality Approved and certified company, All Valves offer a quality service from pre-sale to post sale. Shipping millions of pounds in value of manual valve and actuated valve packages all over the world since its formation, All Valves are a trusted valve and actuator supplier to many companies all over the world. Working with the leading brands in most industries.

TEMPERATURE AND PRESSURE



T +44 (0)1386 552369

E sales@allvalves.co.uk

W www.allvalves.co.uk

F +44 (0)1386 554227